

## 80. SPK

### SPK 1, 2, 4

#### 50/60 Hz, Models C, D

##### Coupling complete

	Kit No	495081	415060	415061	415314
Pos.	Motor/pump shaft diameter [mm]	11/12	14/12	19/12	15.8/12
	Description				NEMA
8	Coupling half	2	2	2	2
9	Screw	4	4	4	4
10	Pin	1	1	1	1

##### Metal terminal box

All with MG 71/80 motor			
Pos.	Kit No	405179	
	Description		
164a	Terminal box with gasket	1	
164	Terminal box cover with gasket	1	
166	Screw	4	
175	Screw	4	
176	Terminal complete	1	

##### Rectangular flange

Pos.	Kit No	395104
	Description	
12	Flange	1
39	O-ring	1
35	Screw	4

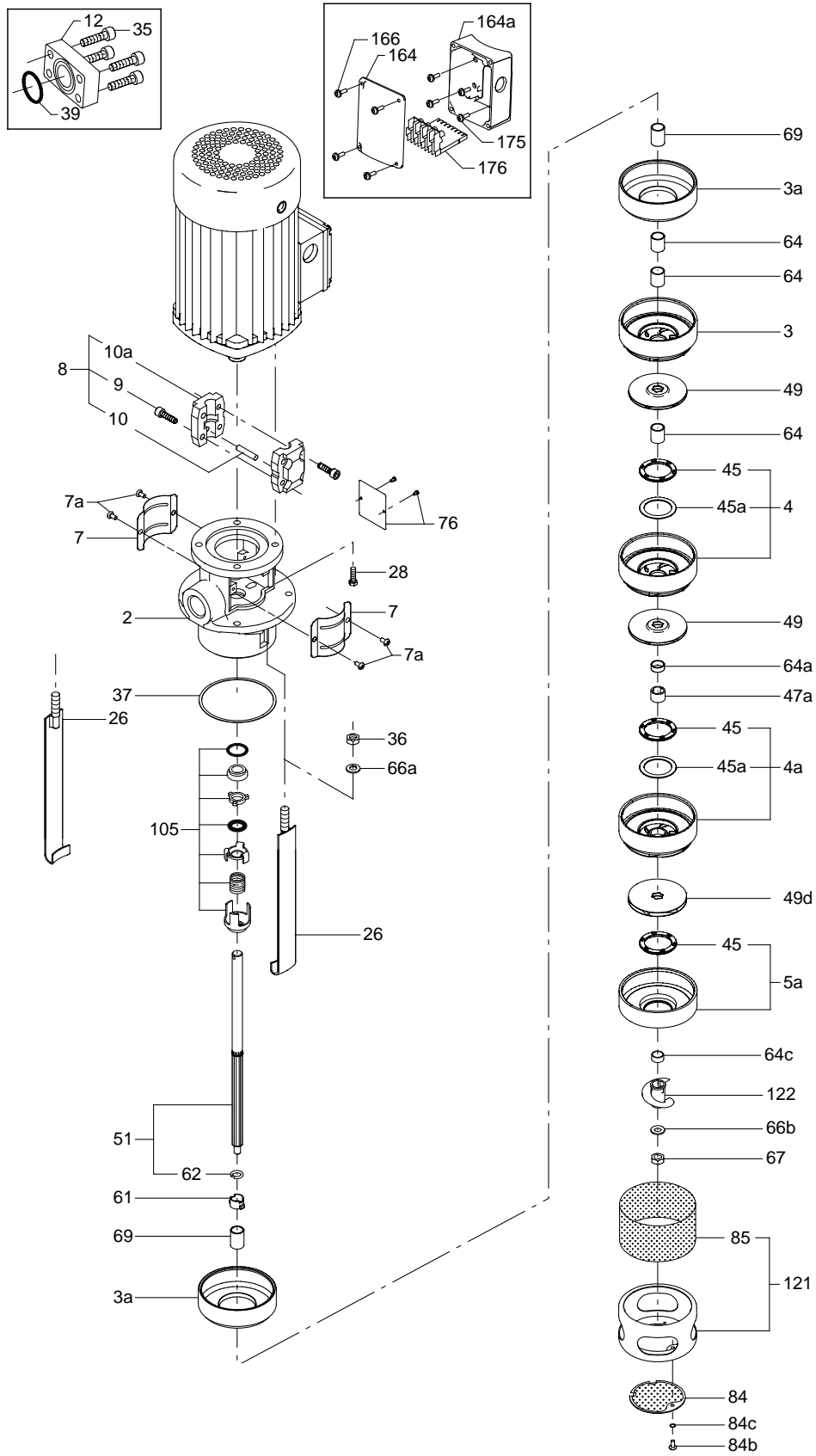
##### Shaft seal

Pos.	Kit No	395008	985726	395091	985720	96765115	97730107
	Description	CVBV	AQBK	AUVV	AUUK	AQVQ	AUUE
37a	Gasket	1	1	1	1	1	1
105	Shaft seal complete	1	1	1	1	1	1

##### Wear parts

	Kit No	395090	395089
Pos.	Number of stages	1-8	9-23
	Description		
4a	Bearing chamber	1	3
9	Coupling screw	4	4
10	Coupling pin	1	1
36	Nut	2	2
37a	Gasket	1	1
45	Neck ring	7	21
47a	Bearing ring	1	3
61	Spacer	1	1
62	Stop ring	1	1
66	Washer	1	1
66a	Washer	2	2
67	Lock nut	1	1

SPK 1, 2, 4



SPK 1, 2, 4 SPK

TM02 5296 2502

**SPK 8****Coupling complete**

Pos.	Kit No	415078	415079	415062	415314	415315
	Motor/pump shaft diameter [mm]	14/12	19/12	24/12	15.8/12	28.5/12
	Description	NEMA				
8	Coupling half	2	2	2	2	2
9	Screw	4	4	4	4	4
10	Pin	1	1	1	1	1

**Metal terminal box**

All with MG 71/80 motor	
Pos.	Kit No
	405179
	Description
164a	Terminal box with gasket
164	Terminal box cover with gasket
166	Screw
175	Screw
176	Terminal complete

**Rectangular flange**

Pos.	Kit No
	405178
	Description
12	Counter flange
39	O-ring
35	Screw

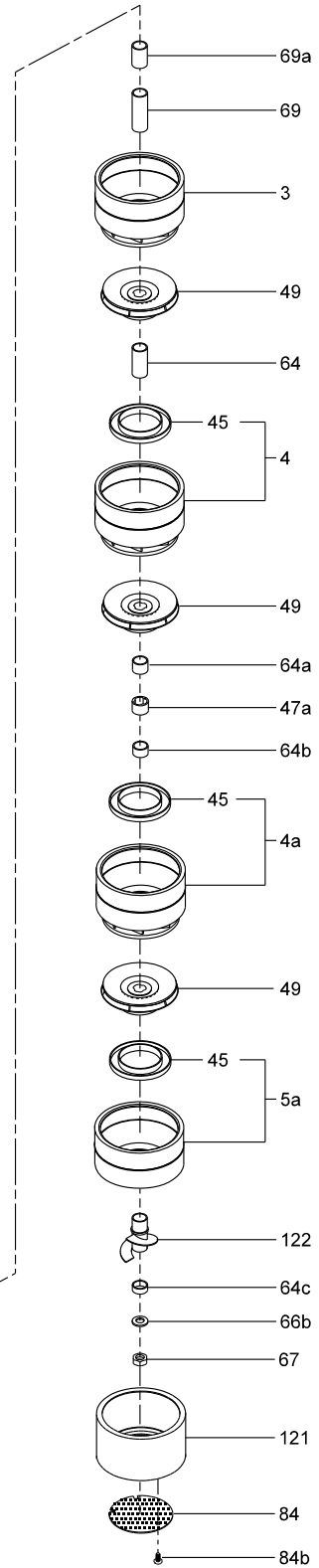
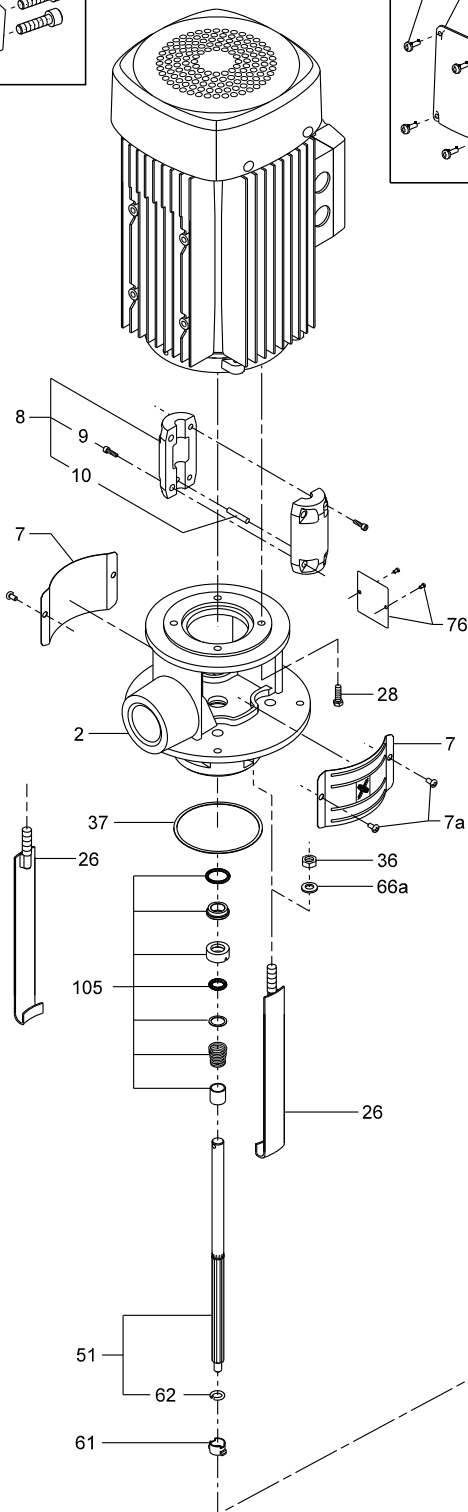
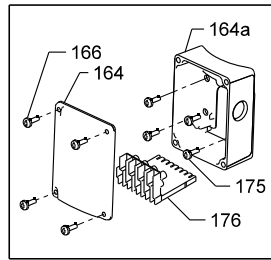
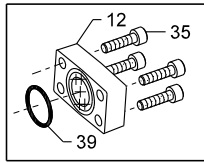
**Shaft seal**

Pos.	Kit No	395008	985726	395091	985720	96765115	97730107
	Description	CVBV	AQBK	AUUV	AUUK	AQQV	AUUE
37a	Gasket	1	1	1	1	1	1
105	Shaft seal complete	1	1	1	1	1	1

**Wear parts**

Number of impellers		1	2-3	5	7-9	12-15	9
		incl.		excl.		excl.	
		SPK 8-5/5		SPK 8-5/5		SPK 8-12/9	
Pos.	Only pump length L = 1005 mm	SPK 8-15/2-3			SPK 8-15/5-15		
	Kit No	395093	395094	395095	395096	395097	395098
	Number of stages	1-15	2-15	7-15	7-15	12-15	12
	Description						
4a	Bearing chamber	1	1	2	2	3	3
9	Coupling screw	4	4	4	4	4	4
10	Coupling pin	1	1	1	1	1	1
36	Nut	2	2	2	2	2	2
37a	Gasket	1	1	1	1	1	1
45	Neck ring	1	4	4	7	12	13
47a	Bearing ring	1	1	2	2	3	3
61	Spacer	1	1	1	1	1	1
62	Stop ring	1	1	1	1	1	1
66	Washer	1	1	1	1	1	1
66a	Washer	2	2	2	2	2	2
67	Lock nut	1	1	1	1	1	1

SPK 8



TM02 5311 2502