

7. CH, CHN, CHI, CHIU, CHIE

CH, CHN 2, CH, CHN 4

50/60 Hz, Models F, H, I, K

Bearing

Pos.	Pump type	All models
	Kit No	435006
Description		
26	Screw	4
26	Washer	4
28	Screw	4
37	Gasket	6
62	Stop ring	1
67	Lock nut	1
79	Diverting disc	1
153	Ball bearing	1
154	Ball bearing	1
155	Bearing cover plate	1
158	Corrugated spring	1
159	O-ring	1

Shaft seal

Pos.	Pump type	All models				
	Kit No	985164	985848	985737	985751	96586305
Description		CVBE/V	AUUE/V	RUUE/V	CVUE/V	AQQE/V
37	Gasket	11	11	11	11	11
62	Stop ring	1	1	1	1	1
67	Lock nut	1	1	1	1	1
105	O-ring (1 FKM + 1 EPDM)	1	1	1	1	1
	Shaft seal	1	1	1	1	1
	O-ring (1 FKM + 1 EPDM)	1	1	1	1	1

Wear parts

Pos.	Pump type	CH2	CH2	CH4	CH4
	Pump stages	2-5	6	2-4	5-6
Kit No		435002	435039	445004	445017
Description					
4a	Chamber	-	1	-	1
37	Gasket	5	6	4	6
45	Neck ring	5	6	-	-
47a	Bearing ring	-	1	-	1
49	Impeller	1	1	1	1
62	Stop ring	1	1	1	1
64	Spacing pipe	-	-	2	4
64a	Spacing pipe	-	1	-	-
65	Neck ring retainer	5	6	-	-
66	Washer	1	1	1	1
67	Lock nut	1	1	1	1
79	Diverting disc	1	1	1	1

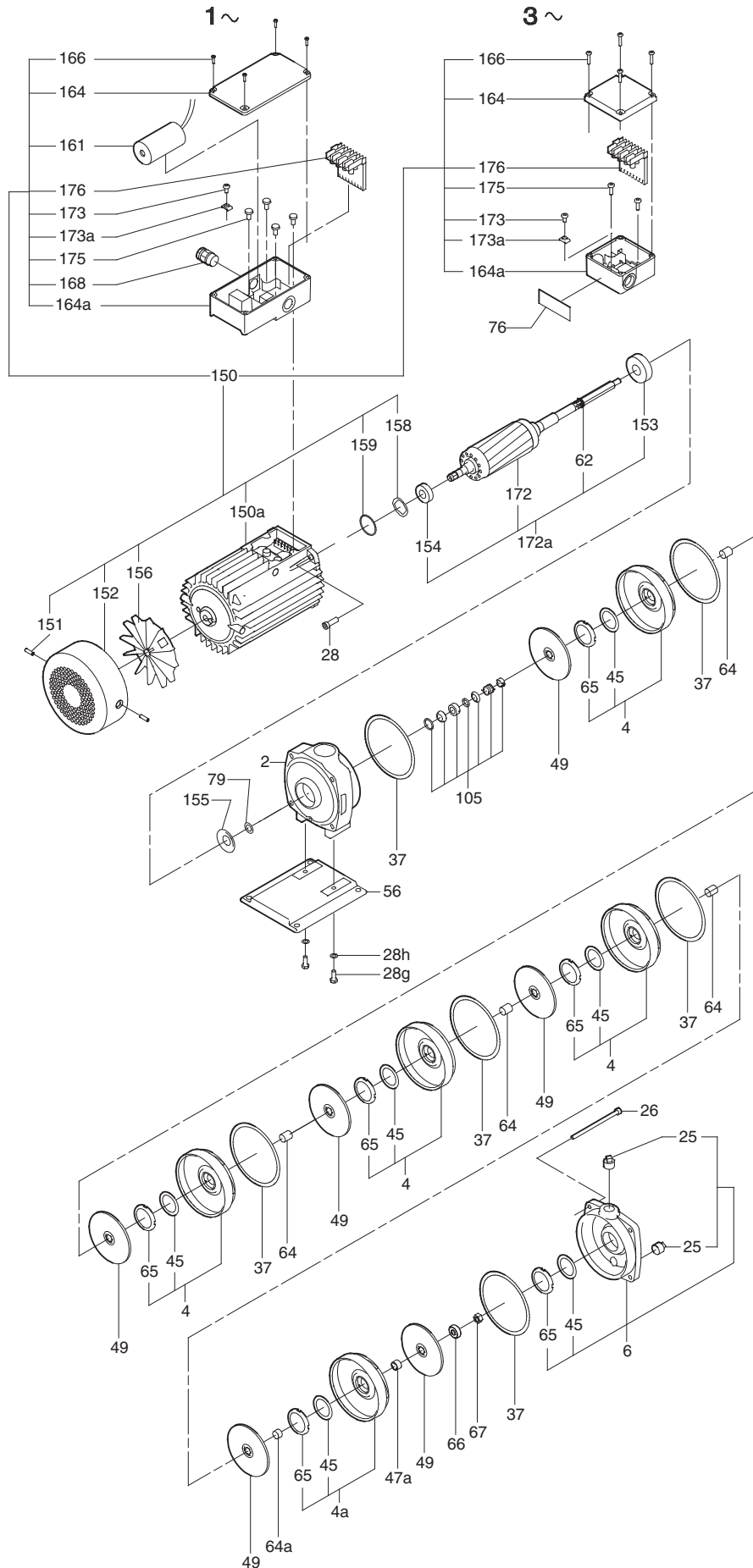
Chamber stack

Pos.	Pump type	CH4, CHN4
	Pump stages	5-6
Kit No		96607936
Description		
49	Impeller complete	6
4a	Chamber with bearing, polished	1
4	Chamber complete, polished	4

Fan

Pos.	Pump type	CH2, CH4
	Kit No	96904953
Description		
151	Fan cover	1
152	Screw for fan cover	2
156	Fan	1

CH, CHN 2, CH, CHN 4



CH, CHN 2, CH, CHN 4 CH, CHN, CHI, CHIU, CHIE

TM03 2038 3505

CH 8, CH 12**50/60 Hz, Models A, B, C, K****Fan**

Pos.	Pump type	CH12-40, -60
	Kit No	96904958
Description		
151	Fan cover	1
152	Screw for fan cover	4
156	Fan	1

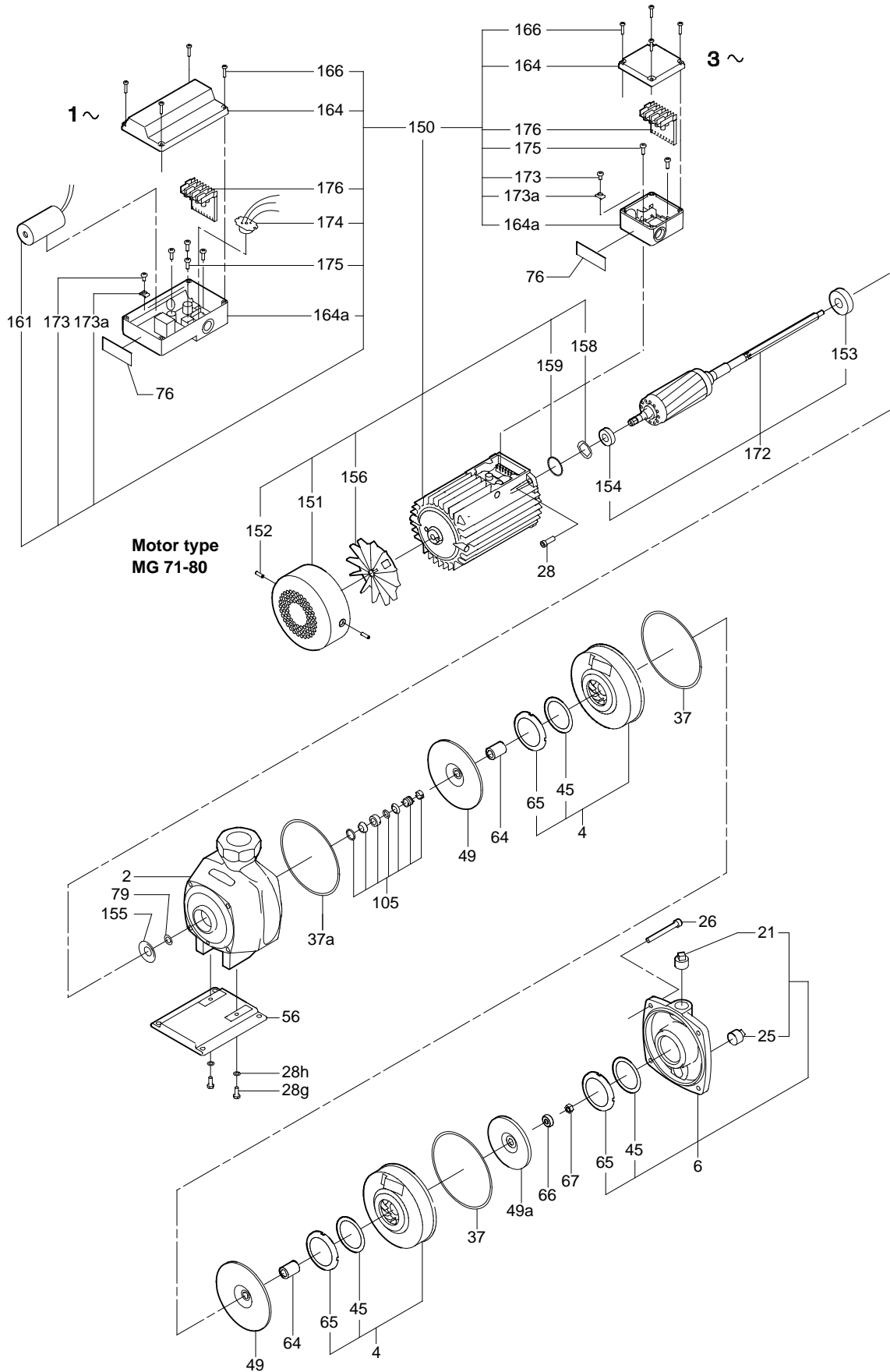
Shaft seal

Pos.	Pump type	All models				
	Kit No	4N5012	4N5013	96416347	96416348	96586306
Description		CVBE/V	CVBE/V	AUUE/V	RUUE/V	AQQE/V
37	Gasket	2	2	2	2	2
37a	Gasket	1	1	1	1	1
45	Neck ring	-	3	-	-	-
65	Neck ring retainer	-	3	-	-	-
67	Lock nut	1	1	1	1	1
79	Diverting disc	-	1	-	-	-
105	Shaft seal complete	1	1	1	1	1
	O-ring (1 FKM + 1 EPDM)	1	1	1	1	1

Wear parts

Pos.	Pump type	CH8-20/25/30	CH8-40/50/60	CH12-10/20/25/30	CH12-40/50/60
	Kit No	96604263	96604265	96604268	96604270
Description					
49a	Impeller with reduced diameter	2	1	1	1
49	Impeller	1	3	1	3
66	Clamp	1	1	1	1
67	Lock nut	1	1	1	1
37	Gasket	2	2	2	2
37a	Gasket	1	1	1	1
45	Neck ring	3	3	3	3
64	Spacing pipe	1	2	1	2
65	Neck ring retainer	3	3	3	3
79	Diverting disc	1	1	1	1

CH 8, CH 12



CH 8, CH 12 CH, CHN, CHI, CHIU, CHIE

TM00 1458 0801

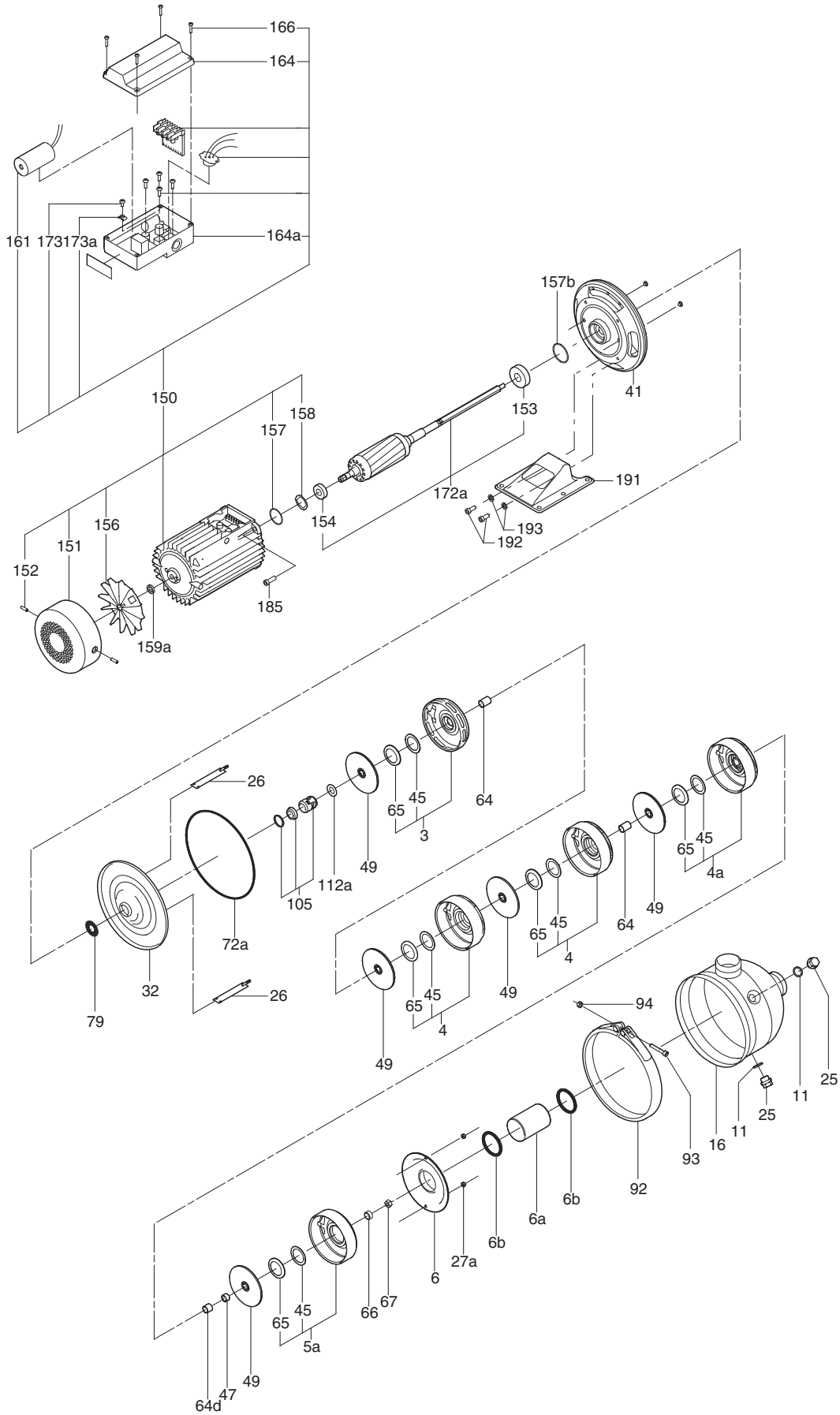
CHI, CHIE 2, 4**50/60 Hz, CHI Models B and C, CHIE model A****Bearing**

Pos.	Description/kit No	96960884
153	Ball bearing	1
154	Ball bearing	1
157b	O-ring	1

Shaft seal

Pos.	Pump type	All models					
	Kit No	004H5007	004H5008	004H5009	004H5010	96479922	96479921
	Description	BQQE	BQQV	BUBE	BUBV	BUUE	BUUV
6b	O-ring	2	2	2	2	2	2
11	O-ring	1	1	1	1	1	1
11a	O-ring	1	1	1	1	1	1
27a	Nut	2	2	2	2	2	2
45	Neck ring	6	6	6	6	6	6
65	Neck ring retainer	6	6	6	6	6	6
67	Lock nut	1	1	1	1	1	1
72a	O-ring	1	1	1	1	1	1
79	Diverting disc	1	1	1	1	1	1
93	Screw	1	1	1	1	1	1
94	Nut	1	1	1	1	1	1
105	Shaft seal	1	1	1	1	1	1

CHI, CHIE 2, 4



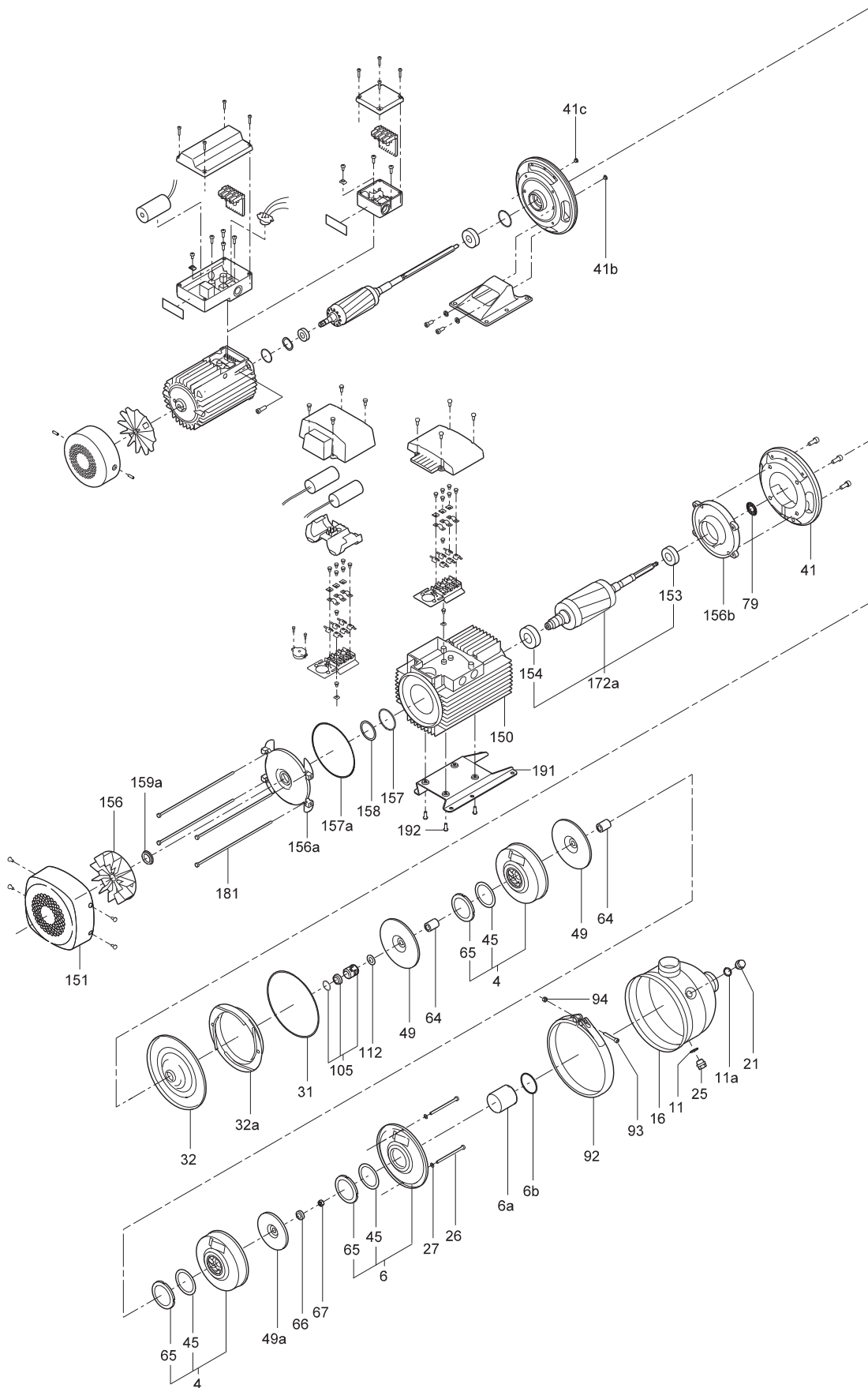
TM02 5227 2202

CHI, CHIE 8, 10, 12**50/60 Hz, CHI models B, C and D,
CHIE model A****Shaft seal**

Pos.	Pump type	CHI (E)8	CHI(E) 8	CHI (E)8	CHI(E) 8	CHI (E)8	CHI(E) 8
		CHI (E)10	CHI (E)10	CHI (E)12	CHI(E) 12	CHI (E)10	CHI (E)10
		CHI (E)12	CHI (E)12			CHI (E)12	CHI(E) 12
Kit No	004F5012	004F5013	004F5019	004F5020	96481361	96481360	
Description	BQQE	BQQV	BUBE	BUBV	BUUE	BUUV	
6b	O-ring	1	1	1	1	1	1
11	O-ring	1	1	1	1	1	1
11a	O-ring	1	1	1	1	1	1
27	Washer	2	2	2	2	2	2
31	O-ring	1	1	1	1	1	1
41b	Plug	1	1	1	1	1	1
41c	Plug	1	1	1	1	1	1
45	Neck ring	3	3	3	3	3	3
65	Neck ring retainer	3	3	3	3	3	3
67	Lock nut	1	1	1	1	1	1
79	Diverting disc	1	1	1	1	1	1
93	Screw	1	1	1	1	1	1
94	Nut	1	1	1	1	1	1
105	Shaft seal	1	1	1	1	1	1

Pos. 41b and 41c have been discontinued in pumps produced after week 13, 1998. The model designation on the pump nameplate shows the production year and week. In the last part, P1YYWW, YY shows the production year and WW the production week.

CHI, CHIE 8, 10, 12



CHI, CHIE 8, 10, 12 CH, CHN, CHI, CHIU, CHIE

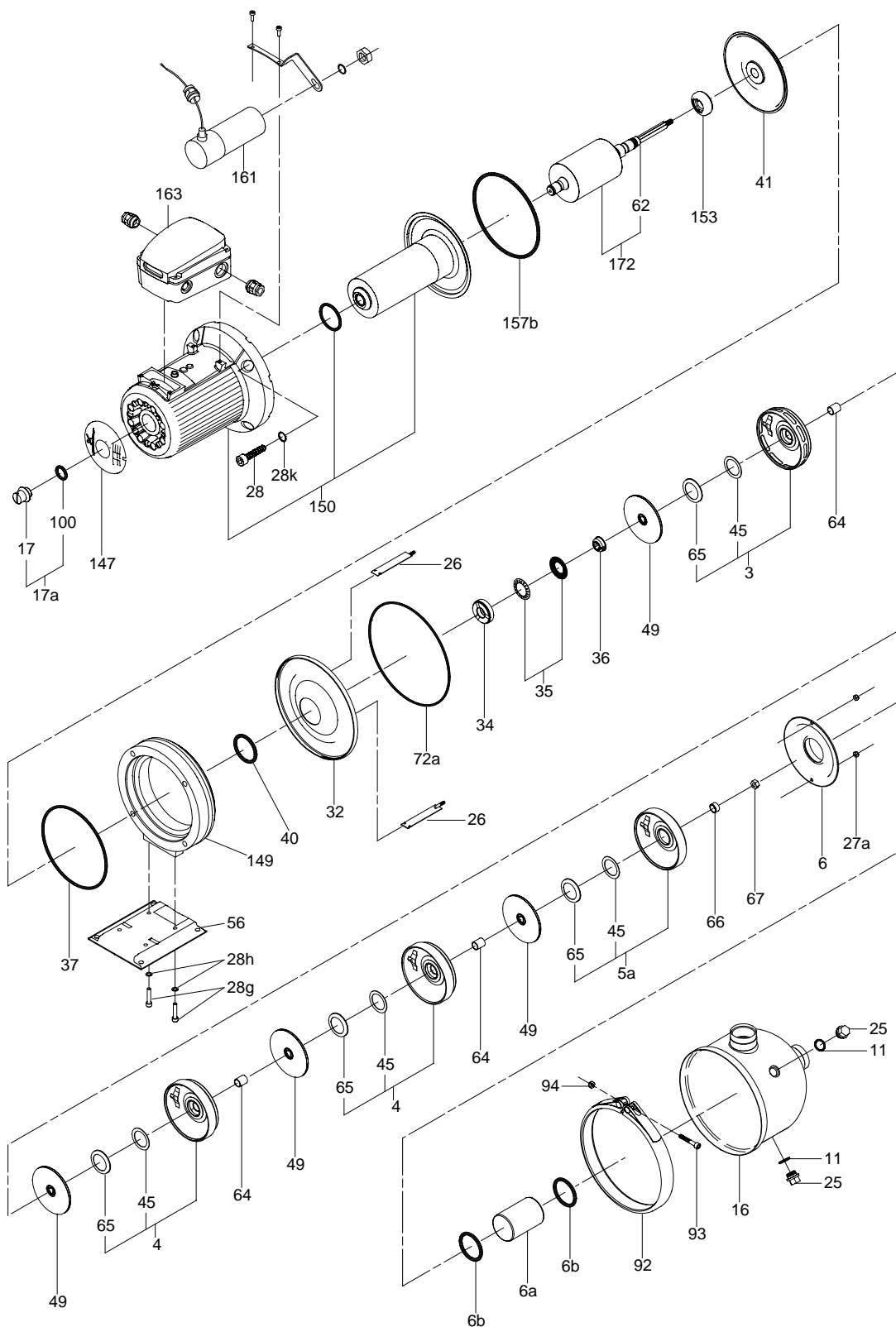
TM01 6215 4605

CHIU 2, 4**50/60 Hz****Wear parts**

Pos.	Pump type	CHIU 2, 4	CHIU 2, 4
	Pump version	EPDM	FKM
	Kit No	96441246	96441247
Description			
6b	O-ring	2	2
11	O-ring	2	2
17a	Plug	1	1
27a	Lock nut	2	2
37	O-ring	1	1
45	Neck ring	4	4
65	Neck ring retainer	4	4
67	Lock nut	1	1
72a	O-ring	1	1
93	Screw	1	1
94	Lock nut	1	1
100	O-ring	1	1
157b	O-ring	1	1

CHIU 2, 4

CHIU 2, 4 CH, CHN, CHI, CHIU, CHIE



TM01 9074 4205

CHI 15, 20**50/60 Hz, Model A****Shaft seal**

Pos.	Seal type	BQQE	BQQV
	Description/kit No	96649924	96649925
105	Shaft seal	1	1
62	Stop ring	1	1

Bearing

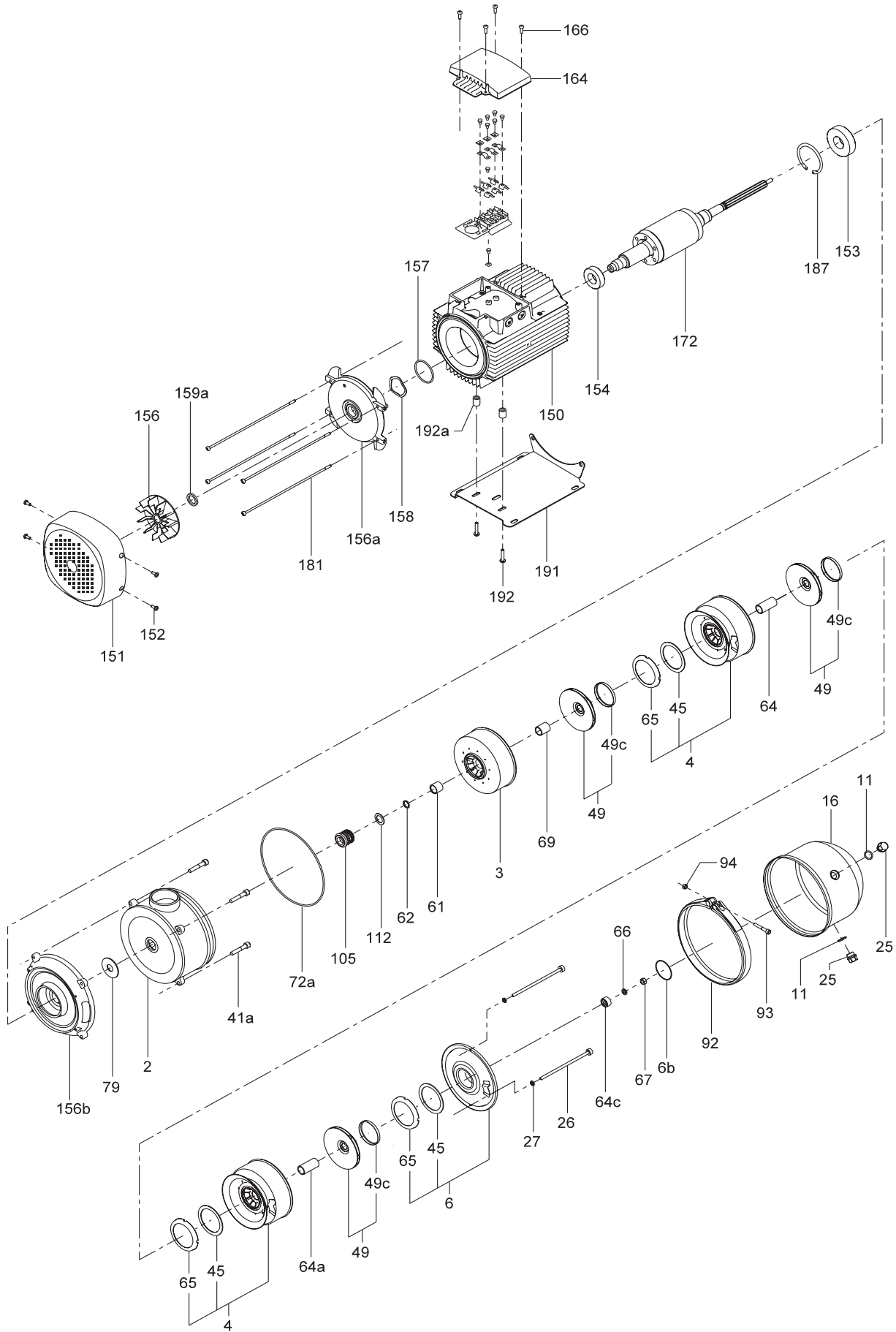
Pos.	Description/kit No	96293547
153	Ball bearing	1
154	Ball bearing	1

Wear parts

Pos.	Seal type	BQQE	BQQV
	Description/kit No	96293521	96293537
6b	O-ring	1	1
11	O-ring	2	2
27	Washer	2	2
45	Neck ring	3	3
49c	Impeller wear ring	3	3
62	Stop ring	2	2
65	Neck ring retainer	3	3
66	Lock washer set	1	1
67	Lock nut	1	1
72a	O-ring	1	1
79	Diverting disc	1	1
93	Screw	1	1
94	Lock nut	1	1
105	Shaft seal	1	1

CHI 15, 20

CHI 15, 20 CH, CHN, CHI, CHIU, CHIE



TM03 3486 3206